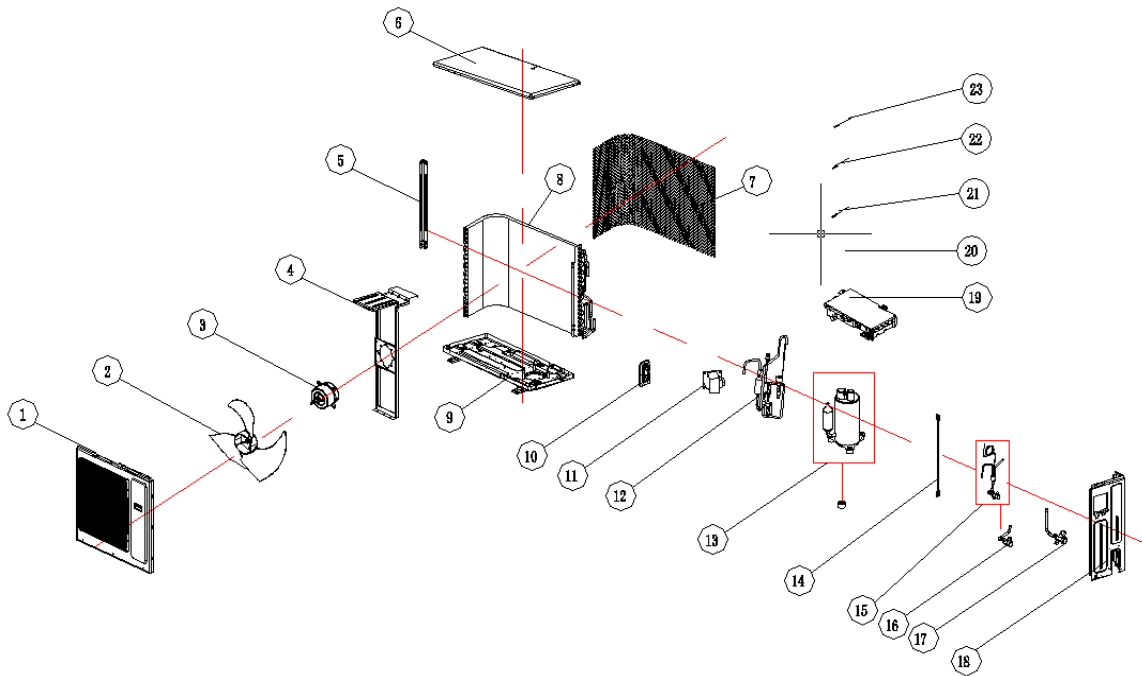


GENERALLUX STAR Mini split Heat Pump Inverter, OUTDOOR UNIT, Parts Diagram

Outdoor Unit Model: AST-24UW3SDBTU01

Nominal capacity: 24000BTU

Power supply: 208-230V, 1 Ph, 60 Hz



SR	PART CODE	DESCRIPTION
2	1542217	propeller fan blade
3	1561964	DC motor
4	1561919	motor supporter
8	1885850	Condenser assembly
9	1814292	base holder part
10	1534867	valve seat
11	1205797	PFC inductance
12	2017922	4-way reversing valve assembly
13	1830018	Compressor
14	1847142	Strong electricity connect wire
15	1867906	Electronic expansion valve assembly
16	1536052	3/8 2-way valve
17	1456114	5/8 3-way valve
18	1542621	right side board part
19	2006156	Controller Component
20	1852124	Wire terminal board
21	1822633	Temperature sensor
22	1822634	Temperature sensor
23	1852304	Temperature sensor
	1823136	wiring distribution cover assy
	1867315	clapboard part