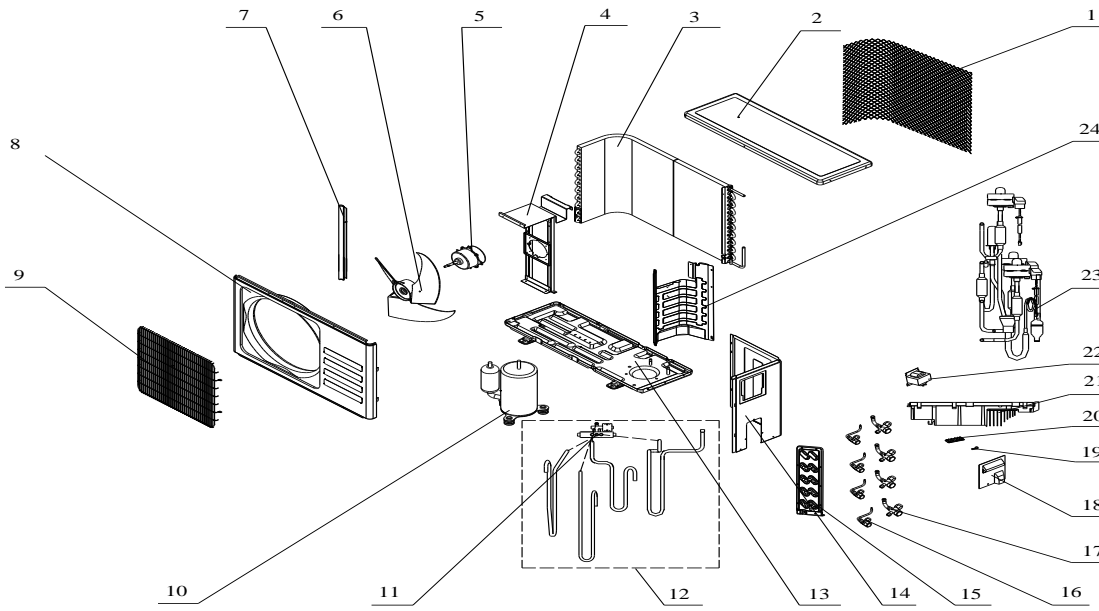


GENERALLUX Mini split Heat Pump Inverter, OUTDOOR UNIT, Multizone. Parts Diagram

Outdoor Unit Model: TUM-GL-36HA2/04-ES

Nominal capacity: 36000BTU

Power supply: 208-230V, 1 Ph, 60 Hz



No.	Part No.	Part Name
1	42011-000400	Grille
2	41207-000042	Top cover
3	92011-004840	Condenser
4	41203-000027	Outdoor motor supporter
5	22001-000070	Outdoor motor
6	42004-000095	Propeller fan
7	41205-000123	Left grille supporter
8	41206-000072	Front plate
9	42011-000031	Fan guard
10	92014-000300	Compressor and accessories
11	92008-000283	4-way valve
12	92007-007098	4-way valve assembly
13	41202-000403	Base
14	41205-000204	Right plate
15	92008-000051	Two-way valve
16	41204-000009	Valve supporter
17	92008-000146	Three-way valve
18	41211-000110	Electrical box cover
19	42001-000036	Cable clamp
20	11304-100097	Terminal
	11304-100029	Terminal
21	31201-002006	Outdoor PCB assembly
22	22011-000015	Inductor
23	92007-007096	Electronic expand valve
24	41208-000101	Partition plate
25	10104-100046	Temp. sensor
28	A1402-000028	Left cover foaming