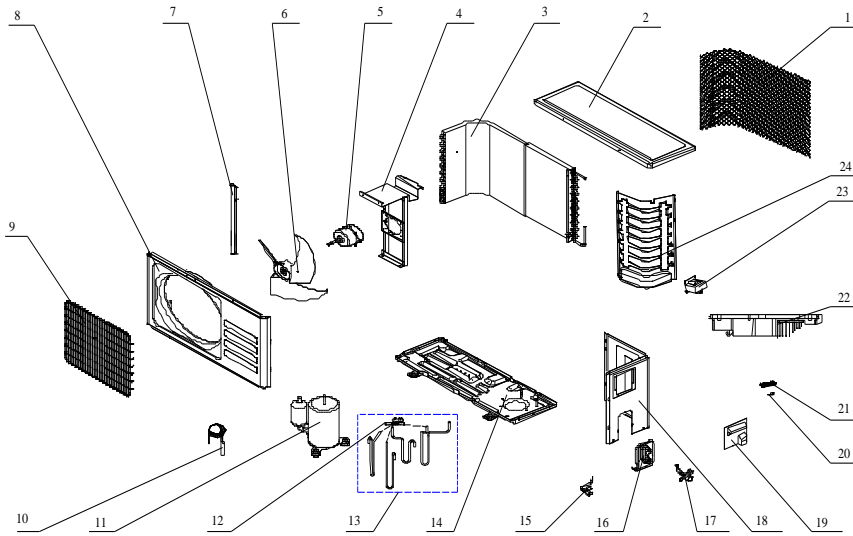


GENERALLUX Mini split Heat Pump Inverter, OUTDOOR UNIT, Parts Diagram

Outdoor Unit Model: TSC-GL24HA1I2TO18

Nominal capacity: 24000BTU

Power supply: 208-230V, 1 Ph, 60 Hz



No.	New Part No.	Part Name
1	42011-000187	Grille
2	41207-000028	Top Cover
3	92011-000788	Condenser
4	41203-000046	Outdoor Motor Supporter
5	22001-000120_UM	Outdoor Motor
6	42004-000105	Propeller Fan
7	41205-000117	Left grille supporter
8	41206-000058	Front Plate
9	42011-000039	Fan Guard
10	92007-002125	Capillary Assembly
11	92014-000474	Compressor
12	92008-000207	4-way Valve
13	92007-000983_UM	4-way Valve Assembly
14	41202-000237	Base
15	92008-000051	Two-way Valve
16	41204-000018	Valve Supporter
17	92008-000141	Three-way Valve
18	41205-000088	Right Plate
19	41201-000044	Electrical Box Cover
20	42001-000038	Cable clamp
21	11304-100045_UM	Terminal
22	31201-000978_UM	Outdoor PCB Assembly
23	22011-000004_UM	Inductor
24	41208-000155	Partition plate
25	10104-100039	Pipe Temp. sensor and outdoor Temp. sensor
26	10104-100037	Discharge Temp. sensor
27	22004-000010	Heater