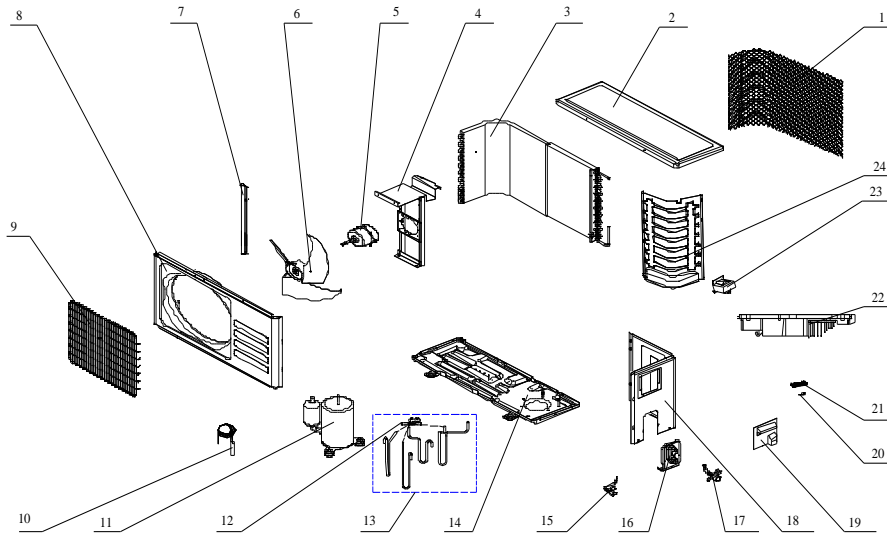


GENERALLUX Mini split Heat Pump Inverter, OUTDOOR UNIT, Parts Diagram

Outdoor Unit Model: TSC-GL-18HA2I3TO21

Nominal capacity: 18000BTU

Power supply: 208-230V, 1 Ph, 60 Hz



No.	Part No.	Part Name
1	42011-000187	Grille
2	41207-000028	Top Cover
3	92011-000796	Condenser
4	41203-000032	Outdoor Motor Supporter
5	22001-000147	Outdoor Motor
6	42004-000105	Propeller Fan
7	41205-000135	Left grille supporter
8	41206-000058	Front Plate
9	42011-000039	Fan Guard
10	92007-010561	Capillary Assembly
11	92014-000804	Compressor
12	92008-000244	4-way Valve
13	92007-010836	4-way Valve Assembly
14	41202-000408	Base
15	92008-000051	Two-way Valve
16	41204-000018	Valve Supporter
17	92008-000141	Three-way Valve
18	41205-000088	Right Plate
19	41201-000044	Electrical Box Cover
20	42001-000036	Cable clamp
21	11304-100045	Terminal
22	31201-002347	Outdoor PCB Assembly
24	41208-000153	Partition plate
25	10104-100058	Pipe Temp. sensor and outdoor Temp. sensor, Discharge Temp. sensor
27	22004-000010	Heater