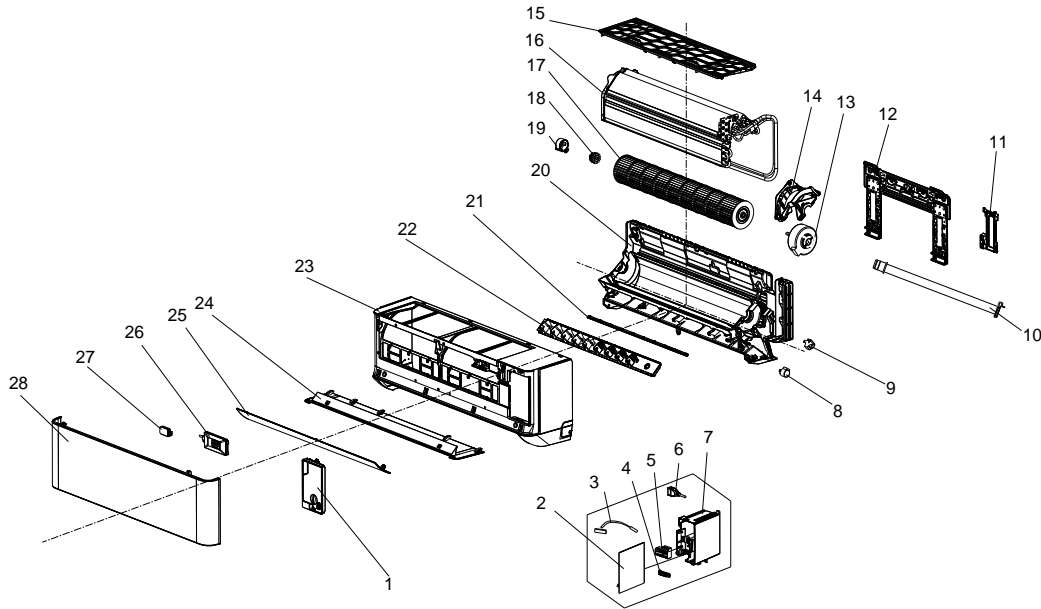


GENERALLUX Mini split Heat Pump Inverter, INDOOR UNIT, Parts Diagram**Indoor Unit Model: TSC-GL-18HA2I3TI21****Nominal capacity: 18000BTU****Power supply: 208-230V, 1 Ph, 60 Hz**

No.	Part No.	Part Name
1	41211-000204	Electrical Box Cover
2	31101-001775	Main PCB
3	10104-100014	Indoor Sensor Assembly
4	42001-000103	Cable Clamp
5	11304-100063	Terminal
6	22007-001028	WIFI Connector
7	41105-000427	Electrical Box
8	22001-000360	Vane Motor
9	29901-000078	Step Motor
10	41101-000240	In And Out Pipe Cover
11	42009-000011	Drainage Hose
12	41109-000073	Installation Plate
13	22001-000240	Indoor Motor
14	41108-000009	Indoor Motor Cover
15	42008-000175	Air Filter
16	92011-005353	Evaporator
17	42004-000037	Cross Fan
18	42007-000009	Bearing Mount
19	41101-000251	Bearing Mount Holder
20	41102-000533	Base
21	41101-000373	Step Motor Connect Rod
23	41106-003991	Face Frame Assembly
24	41101-000388	Front shroud
25	41103-000496	Vane
26	32099-006472	Display PCB
27	32001-000269	WIFI PCB
28	41106-003990	Panel
29	22013-002315	Remote Controller