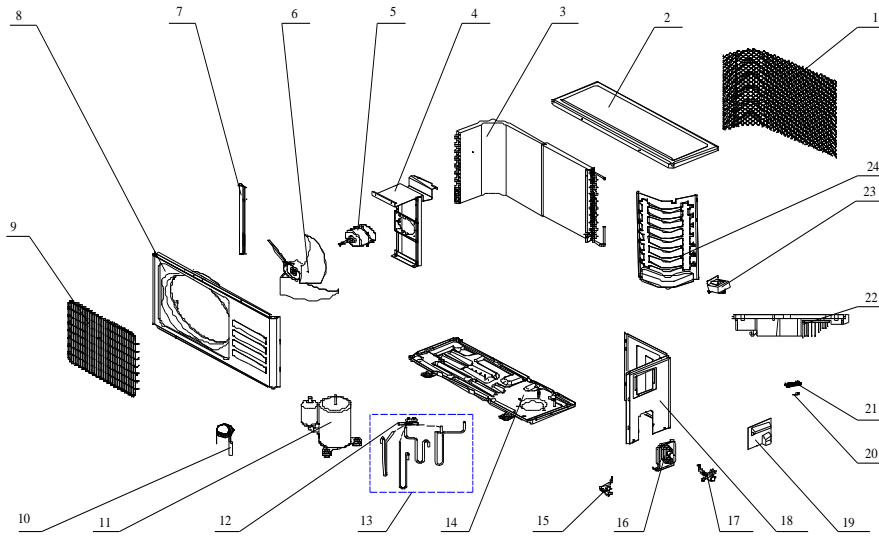


GENERALLUX Mini split Heat Pump Inverter, OUTDOOR UNIT, Parts Diagram

Outdoor Unit Model: TSC-GL18HA1I2TO19

Nominal capacity: 18000BTU

Power supply: 208-230V, 1 Ph, 60 Hz



No.	New Part No.	Part Name
1	42011-000168	Grille
2	41207-000033	Top Cover
3	92011-000757	Condenser
4	41203-000052	Outdoor Motor Supporter
5	22001-000096_UM	Outdoor Motor
6	42004-000104	Propeller Fan
7	41205-000119	Left grille supporter
8	41206-000057	Front Plate
9	42011-000040	Fan Guard
10	92007-002112	Capillary Assembly
11	92014-000318	Compressor
12	92008-000207	4-way Valve
13	92007-000971_UM	4-way Valve Assembly
14	41202-000252	Base
15	92008-000051	Two-way Valve
16	41204-000018	Valve Supporter
17	92008-000146	Three-way Valve
18	41205-000090	Right Plate
19	41201-000044	Electrical Box Cover
20	42001-000038	Cable clamp
21	11304-100045_UM	Terminal
22	31201-000967_UM	Outdoor PCB Assembly
23	22011-000014_UM	Inductor
24	41208-000154	Partition plate
25	10104-100038	Pipe Temp. sensor and outdoor Temp. sensor
26	10104-100036	Discharge Temp. sensor