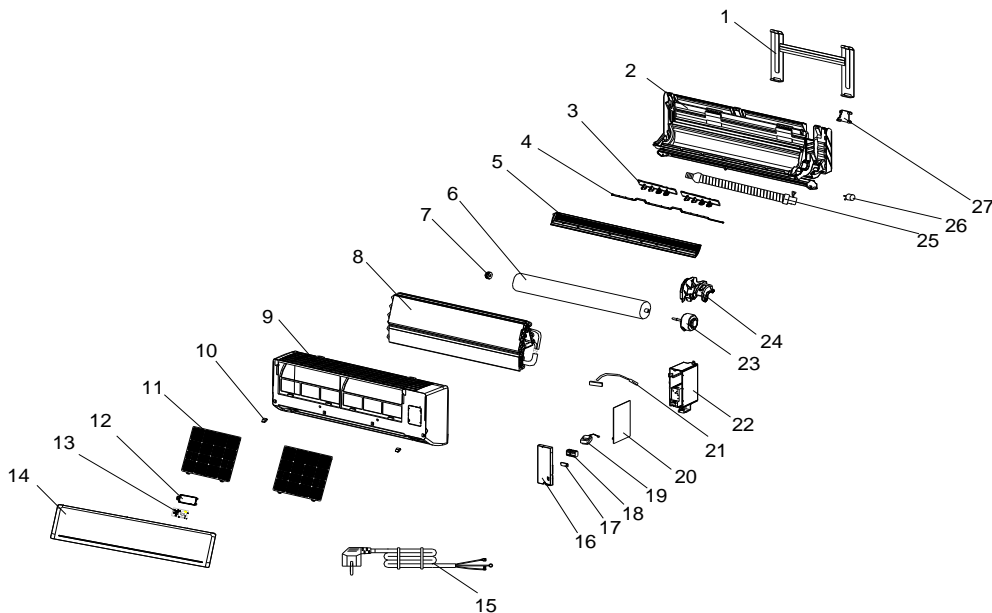


GENERALLUX Mini split Heat Pump Inverter, INDOOR UNIT, Parts Diagram

Indoor Unit Model: TSC-GL18HA1I2TO19

Nominal capacity: 18000BTU

Power supply: 208-230V, 1 Ph, 60 Hz



| No. | New Part No. | Part Name |
|-----|-----------------|-------------------------|
| 1 | 41109-000019 | Installation Plate |
| 2 | 41102-000069 | Base |
| 3 | 41101-000042 | Vertical Vane Assembly |
| 4 | 41507-000076 | Vertical Vane Connector |
| 5 | 41103-000178 | Vane |
| 6 | 42004-000002 | Cross Fan |
| 7 | 42007-000001 | Bearing Mount |
| 8 | 92011-003113 | Evaporator |
| 9 | 41106-002351 | Face Frame |
| 10 | 41108-000066 | Screw Cover |
| 11 | 42008-000069 | Air Filter |
| 12 | 42003-000001 | Display PCB Box |
| 13 | 31102-000084 | Display PCB |
| 14 | 41106-002154 | Front Panel |
| 16 | 41211-000079 | Electrical Box Cover |
| 17 | 42001-000103 | Cable Clamp |
| 18 | 11304-100063 | Terminal |
| 20 | 31101-000238_UM | INDOOR PCB |
| 21 | 10104-100014 | Indoor Sensor Assembly |
| 22 | 41105-000134 | Electrical Box |
| 23 | 22001-000240_UM | Indoor Motor |
| 24 | 42003-000045 | Indoor Motor Cover |
| 25 | 42009-000011 | Drainage Hose |
| 26 | 22001-000321 | Vane Motor1 |
| | 22001-000318 | Vane Motor2 |
| 27 | 41101-000224 | In And Out Pipe Fixer |
| 28 | 22013-001510 | Remote Controller |
| 29 | 32001-000057 | WIFI Assembly |
| 30 | A1101-007259 | Indoor Carton |
| 31 | A2006-000070 | Left Foaming |
| 32 | A2006-000068 | Right Foaming |