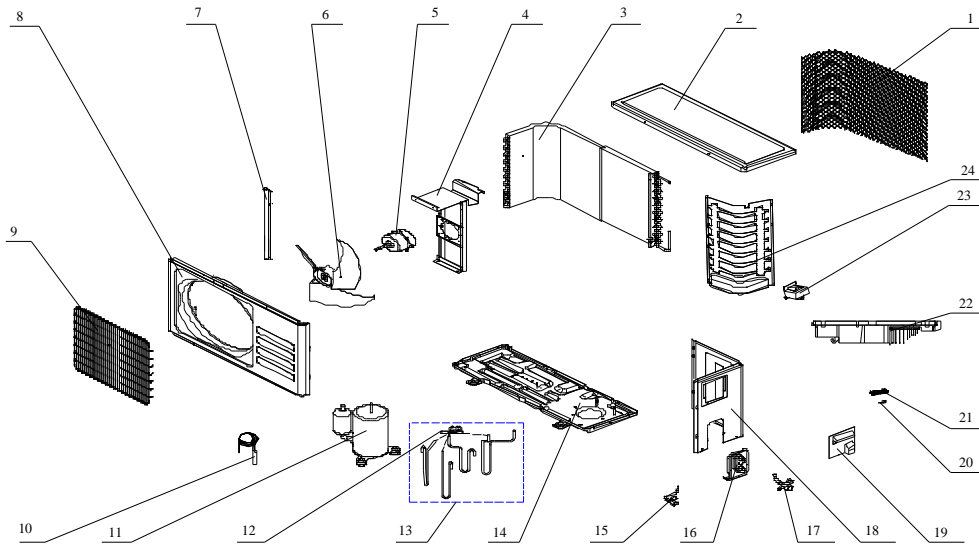


GENERALLUX Mini split Heat Pump Inverter, OUTDOOR UNIT, Parts Diagram

Outdoor Unit Model: TSC-GL12HA2/I3TO23

Nominal capacity: 12000BTU

Power supply: 208-230V, 1 Ph, 60 Hz



No.	Part No.	Part Name
1	42011-000185	Grille
2	41207-000040	Top Cover
3	92011-000868	Condenser
4	41203-000047	Outdoor Motor Supporter
5	22001-000493	Outdoor Motor
6	42004-000106	Propeller Fan
7	41205-000131	Left grille supporter
8	41206-000059	Front Plate
9	42011-000041	Fan Guard
10	92007-011169	Capillary Assembly
11	92014-000760	Compressor
12	92008-000245	4-way Valve
13	92007-007207	4-way Valve Assembly
14	41202-000228	Base
15	92008-000051	Two-way Valve
16	41204-000018	Valve Supporter
17	92008-000146	Three-way Valve
18	41205-000086	Right Plate
19	41299-001511	Electrical Box Cover
20	42001-000036	Cable clamp
21	11304-100063	Terminal
22	31201-002373	Outdoor PCB Assembly
23	/	Inductor
24	41208-000143	Partition plate
25	10104-100056	Pipe Temp. sensor , outdoor Temp. sensor, Discharge Temp. sensor