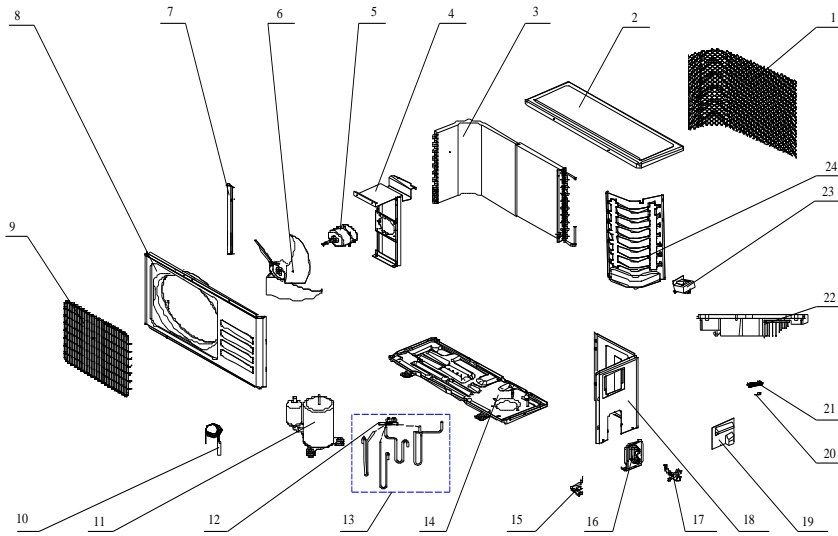


GENERALLUX Mini split Heat Pump Inverter, OUTDOOR UNIT, Parts Diagram

Outdoor Unit Model: TSC-GL12HA1I2TO20

Nominal capacity: 12000BTU

Power supply: 115V, 1 Ph, 60 Hz



| No. | New Part No. | Part Name |
|-----|-----------------|--|
| 1 | 42011-000185 | Grille |
| 2 | 41207-000026 | Top Cover |
| 3 | 92011-000804 | Condenser |
| 4 | 41203-000047 | Outdoor Motor Supporter |
| 5 | 22001-000049_UM | Outdoor Motor |
| 6 | 42004-000103 | Propeller Fan |
| 7 | 41205-000120 | Left grille supporter |
| 8 | 41206-000059 | Front Plate |
| 9 | 42011-000041 | Fan Guard |
| 10 | 92007-002097 | Capillary Assembly |
| 11 | 92014-000142 | Compressor |
| 12 | 92008-000208 | 4-way Valve |
| 13 | 92007-000990_UM | 4-way Valve Assembly |
| 14 | 41202-000228 | Base |
| 15 | 92008-000051 | Two-way Valve |
| 16 | 41204-000018 | Valve Supporter |
| 17 | 92008-000146 | Three-way Valve |
| 18 | 41205-000091 | Right Plate |
| 19 | 41201-000044 | Electrical Box Cover |
| 20 | 42001-000036 | Cable clamp |
| 21 | 11304-100046_UM | Terminal |
| 22 | 31201-000973_UM | Outdoor PCB Assembly |
| 23 | 22011-000011_UM | Inductor |
| 24 | 41208-000147 | Partition plate |
| 25 | 10104-100033 | Pipe Temp. sensor and outdoor Temp. sensor |
| 26 | 10104-100036 | Discharge Temp. sensor |
| 27 | 22003-000045_UM | Compressor Capacitor |
| 28 | A2005-000536 | Base carton |
| 29 | A1201-007855 | Cabinet Carton |
| 30 | A1202-000041 | Base Foaming |
| 31 | 41213-000032 | Cover Forming |