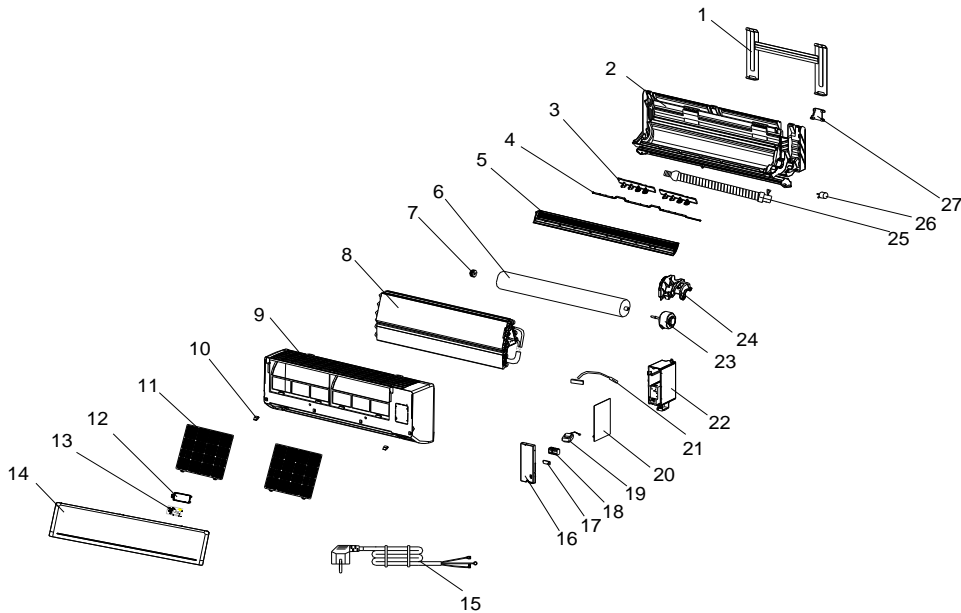


GENERALLUX Mini split Heat Pump Inverter, INDOOR UNIT, Parts Diagram

Indoor Unit Model: TSC-GL12HA12TI20

Nominal capacity: 12000BTU

Power supply: 115V, 1 Ph, 60 Hz



No.	New Part No.	Part Name
1	41109-000041	Installation Plate
2	41102-000087	Base
3	41101-000033	Vertical Vane Assembly
4	41101-000127	Vertical Vane Connector1
	41101-000120	Vertical Vane Connector2
5	41103-000102	Vane
6	42004-000001	Cross Fan
7	42007-000001	Bearing Mount
8	92011-003149	Evaporator
9	41106-002375	Face Frame
10	41108-000066	Screw Cover
11	42008-000047	Air Filter
12	42003-000001	Display PCB Box
13	31102-000084	Display PCB
14	41106-001999	Front Panel
16	41211-000077	Electrical Box Cover
17	42001-000103	Cable Clamp
18	11304-100063_UM	Terminal
20	31101-000265_UM	Main PCB
21	10104-100014	Indoor Sensor Assembly
22	41105-000134	indoor Electrical Box
23	22001-000307_UM	Indoor Motor
24	42003-000051	Indoor Motor Cover
25	42009-000011	Drainage Hose
26	22001-000313	Vane Motor
	22001-000318	Vane Motor
27	41101-000242	In And Out Pipe Fixer
28	22013-001510	Remote Controller
	32001-000057	WiFi Assembly
29	A1101-007255	Indoor Carton
30	41110-000217	Left Foaming
31	41110-000262	Right Foaming